

YA Vibrating Screen





YA Vibrating Screen

Luoyang Longzhong Heavy Machinery Co., Ltd is a high technology enterprise in Luoyang city, which is a professionally corporate enterprise that engaged in mine crushing machinery and , industrial grinding mill researching, development and manufacturing. The company is located in beautiful Luoyang, in the middle of China, which covers more than 50000 square meters with modern and professional technical team, equipped with advanced CAD computer aided design system and computer simulation test system. All of these good facilities keep our products in high quality.

Our main products are Crusher, Sand making machine (Vertical Shaft Impact Crusher), Vibrating Screen, Vibrating Feeder, Sand Washing Machine, Sand Recycling Machine, Belt conveyor, industrial mills etc. What' s more, the Sand Recycling Machine has been awarded the reputation of Luoyang high-tech achievements transformation project. We have become the main production and export base of Sand making and grinding mill machine.

Vibrating screen YA is of several decks whose moving track is round. The moving track of material is very long; the size of material can be separated into several specifications. It adopts cylinder style inspiring vibrator device and eccentric shaft to adjust. With the features of reliable structure, strong vibrating generation, high screening efficient, low noise, easy maintenance, safe performance, etc. It is widely used in separating gravel and is also suitable for mining, construction material, transportation, energy, chemical industry and so on.





YA Vibrating Screen

● Features:

1. Vibrating screen YA is of several decks whose moving track is round.
2. The moving track of material is very long; the size of material can be separated into several specifications.
3. It adopts cylinder style inspiring vibrator device and eccentric shaft to adjust. It has the features of reliable structure, strong vibrating generation, high screening efficient, low noise, easy maintenance, safe performance, etc.
4. It is widely used in separating gravel and is also suitable for mining, construction material, transportation, energy, chemical industry and so on.

● Working conditions:

1. The vibrating screen uses the motor to drive the eccentric shaft to make the screen body periodically along with the direction of vibration force.
2. The materials make circular movement on the screen to realize sieving.

● Tech specifications:

Model	Screen area (mm)	Sieve size (mm)	Max feeding size (mm)	Capacity (t/h)	Vibration frequency (Hz)	Double amplitude (mm)	Motor (kw)	Weight (kg)	Overall dimension (L×W×H) (mm)
YA1230	3.6	3-50	200	7.5-70	800-970	8	5.5	1750	3073*2030*1611
2YA1230	3.6	3-50	200	7.5-70	800-970	8	5.5	2340	3122*2050*2247
3YA1230	3.6	3-50	200	7.5-70	800-970	8	7.5	3050	3122*2050*2700
2YA1548	7.2	5-50	400	50-208	970	8	15	5330	4400*2610*2857
3Y1548	7.2	5-50	400	50-250	970	8	15	6070	5650*2528*3400
3YA1848	8.64	5-80	400	50-300	970	8	18.5	6930	5027*3100*3500
3YA1860	10.8	5-50	400	50-350	970	8	22	7700	6200*2240*1650
2YA2160	12.6	5-100	400	100-500	730		30	10200	6374*3821*3707
2YA2460	14.4	5-150	400	150-700	730		37	12350	6374*4121*3707



YA Vibrating Screen

● Installation & debugging:

1. Installation

(1) This machine is assembled by our factory and supplied as a whole set. The users should check the equipment after receiving in case of any collision damage during transportation.

(2) There should be enough lifting equipment on installation spot. You should use 120x120 cubic wood blocks to support beside screen box when you lifting the equipment. The screen body should not be dragged on the ground in case of the screen or its parts being broken.

(3) Vibrating screen should be installed on the foundation of reinforced concrete. The height, strength and area should be designed according to the soil condition and usage circumstance.

(4) Foundation bearing axis should be accordance with box bearing frame axis without deviation. There should be enough space below the foundation so as to install convey device and maintain.

(5) When installing feed hopper and discharge hopper, their left and right gap with screen box should be greater than 40mm, front and back gap should be greater than 80mm, top and down gap should be greater than 80mm.

(6) In order to reduce the impact of material to screen, the fall between material and screen should be less than 200mm.

2. Debugging

(1) Check if the installation of spring support seat meets the requirements or not before trying to operate the machine. Check the spring volume under support spring to make sure that the distance between the front and the behind, the left and the right less than 5mm.

(2) Ensure V-belt tension with adequate adjustments and ensure corresponding groove of two belt wheel be put into a one-to-one relationship in their respective plane.

(3) Rotate the exciter manually before trial run. Rotate should be flexible, start the machine if there is no block phenomenon.



YA Vibrating Screen

● Safety operation issues :

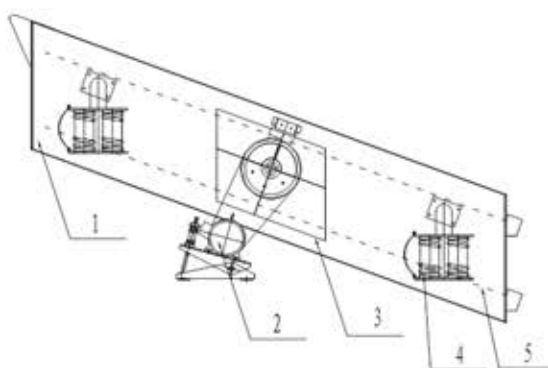
(1.The electric device should be fixed on the ground; the electric line must be insulated and be installed into flexible conduit. You must cut off the power when checking and repairing.

2.The machine should be started without any load. Working with too much load is forbidden. When all the material is discharged out then you can stop the machine. You should not adjust, clean and check the machine when it works in case of being in danger.

3.The feeding groove should be close to the feeding end as soon as possible, and feed evenly along the full width sieve, the feeding direction and material running direction should be same to get the best screening effect. Max material thrown from feeding points to screen surface should be not more than 500 mm, ensure smallest impact to the screen surface.

4.You should add lubricating grease into bearing every 8 hours under normal working condition.The bearing of vibration exciter adopts EL-3Li lubricating grease. Check all the part of the machine every month, including checking whether the fastening parts is fastened or not, side plate is broken or not, the horizontal bar and the strengthening frame is broken or not, the spring, the seal of inspiring device, the belt conveyor, the switch of electric device etc.

5.Vibrating screen stall should conforms to the technical sequence. Except special requirement, it is not allowed to feed after stall with material.

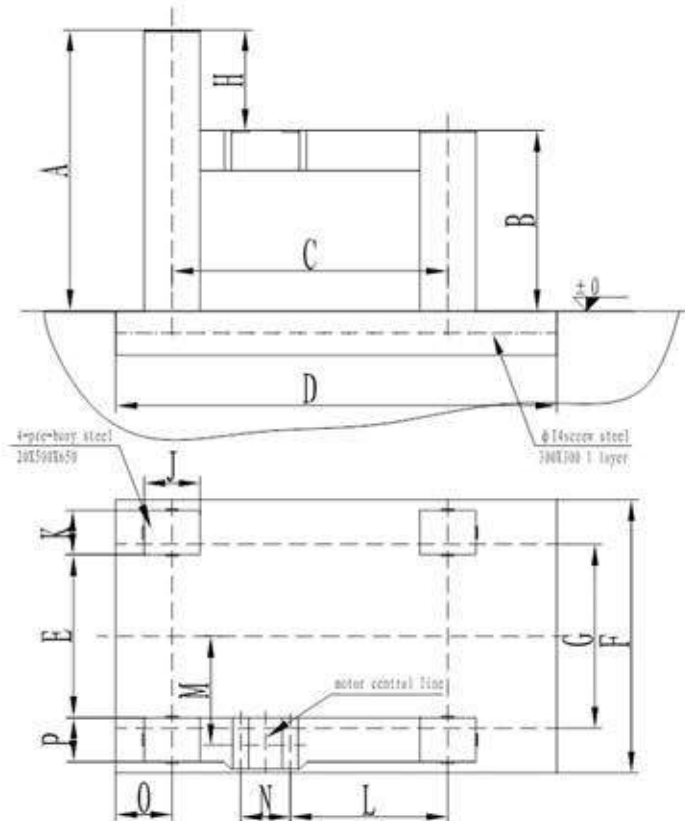
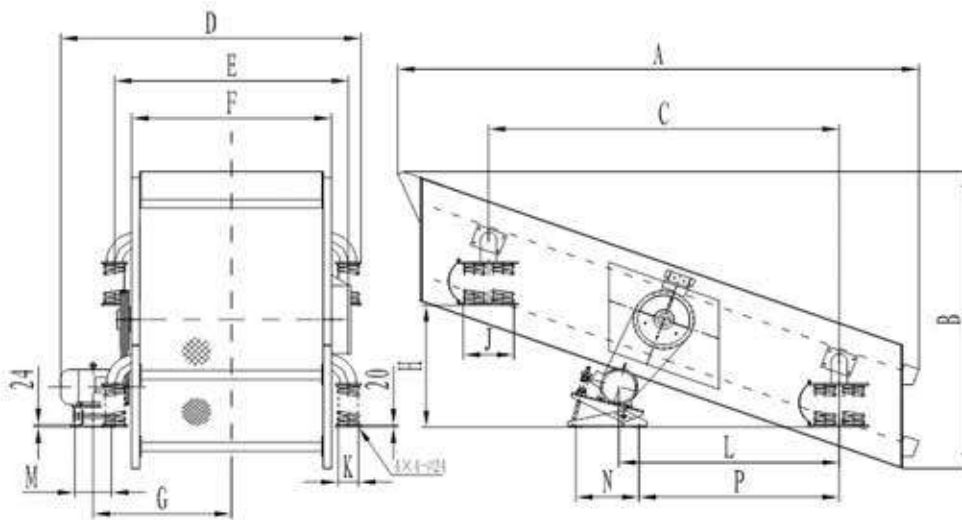


- 1—screen box
- 2—driving device
- 3—vibrator
- 4—support spring group
- 5—screen



YA Vibrating Screen

- Overall dimension chart for vibrating screen :





YA Vibrating Screen

● Part of the case:



● Contact us:

Add : Zhongqiao Real Estate Building, Nanchang Road, Luoyang, China

Email : export@lylzzg.com

TEL : +86-379-65160016

FAX : +86 379 65160018

WEB: www.lzzgchina.com

ALIBABA: www.lylongzhong.en.alibaba.com